



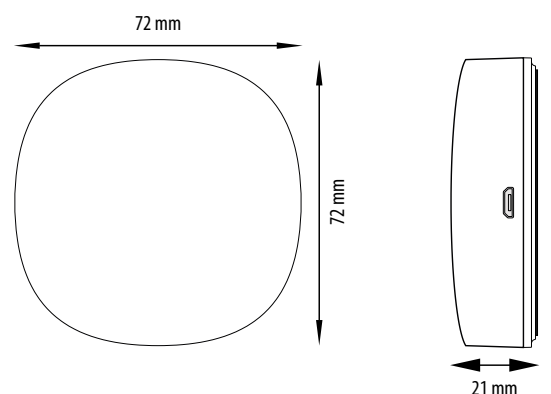
EGATEZB

Universal ZigBee Gateway for ENGO Smart devices

Technical Informations

EGATEZB is the main component needed to build a smart home system based on devices that will communicate using the ZigBee 3.0 data transmission protocol. The gateway collects data from all sensors, thermostats, actuators and other smart home system components connected to it. It is also responsible for the stability of the rules and created scenarios in the ZigBee network, even when there is no Internet access temporarily. That's why ZigBee systems are recommended when operational reliability is important and when you want to make sure that a thermostat, relay or opening sensor will work when there is no Internet access. The EGATEZB universal gateway connects to the Internet (router) via a 2.4GHz WiFi network. The gateway is compatible with the Engo Smart / Tuya Smart application, where it is possible to make connections between ZigBee devices and Wi-Fi devices (compatible with the application) and create mutual scenarios. It should be noted that related devices communicating in the ZigBee standard will work without Internet access.

Power supply	5V DC mini USB
Max current	0.5A
Communication	ZigBee 3.0 2,4GHz WiFi 2,4GHz
Dimensions [mm]	72 x 72 x 21



Connection description:

