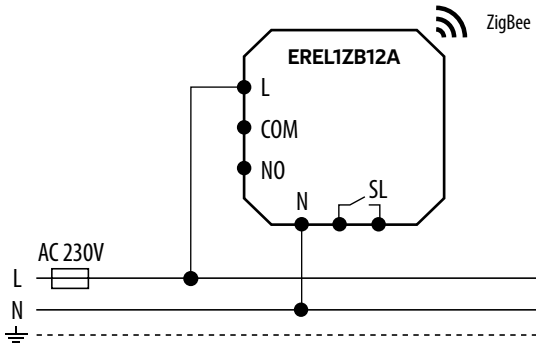


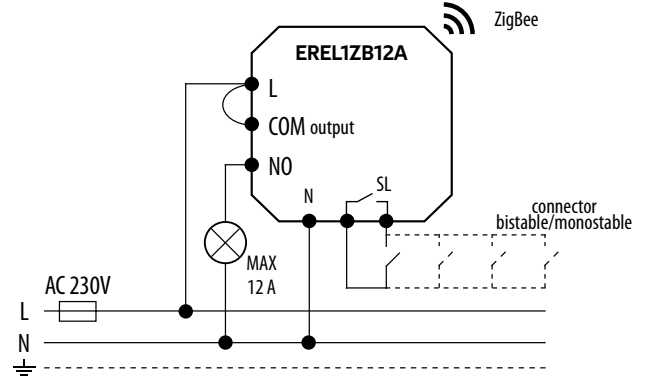
WIRING DIAGRAM - EREL1ZB12A

ZigBee Relay Module 12A

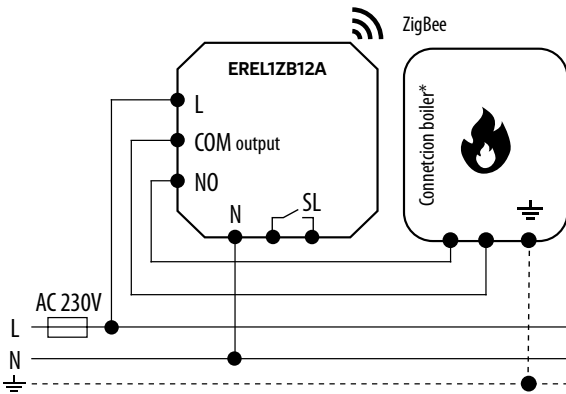
a) Connecting EREL1ZB12A as a ZigBee network signal amplifier



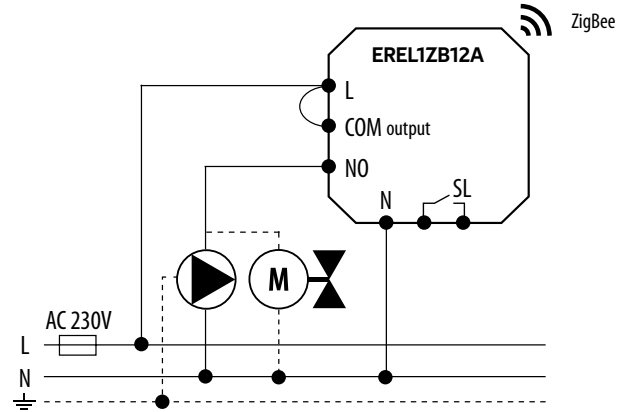
b) Lighting connection diagram




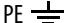
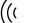







c) Scheme of connection to a gas boiler



d) Scheme of connection to the pump/actuator



LEGEND

	Battery powered		Ground (electricity)		Wireless communication
	Fuse		Pump		Heating mode
L, N	230V AC power supply		Valve actuator	S	Occupancy sensor or ON/OFF contact
COM, NO, NC	Voltage-free output		Temperature sensor	S1, S2	Input terminals
	Boiler - Boiler connection * - Boiler's contacts for ON/OFF thermostat (according to the boiler's instructions)		Thermoelectric actuator	SL →	230V AC voltage output