



EMODZB

ZigBee Mini Relay Module with repeater feature, 230V output

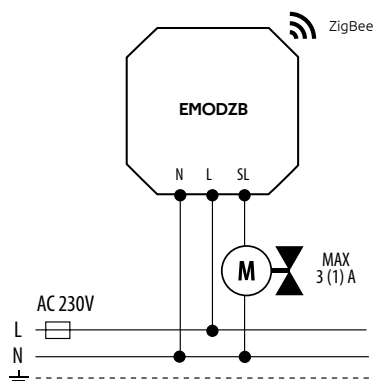
Technical Informations

The module is designed for a direct connection to the wired control box ECB08M230. With the EMODZB, the user can control heating zones wirelessly using a temperature thermostat paired with it that operates on the ZigBee 3.0 network. The module must be connected to a universal ZigBee 3.0 gateway. The EMODZB can be programmed and controlled via the Engo Smart/Tuya app. The module comes with a DIN rail mounting holder.

Power supply	230V AC 50Hz
Max current	3 (1) A
Communication	ZigBee 3.0 2,4GHz
Control output	230V AC
Dimensions [mm]	40 x 40 x 20

Connection description:

a) Connection diagram to pump / actuator



b) Connection diagrams to the control box

