

The Ariston logo, featuring a white house icon inside a red square, followed by the word "ARISTON" in white capital letters on a red background.

ARISTON



# ANDRIS R

ELECTRIC STORAGE WATER HEATER

HOT WATER | HEATING | RENEWABLES

[ariston.com](http://ariston.com)

# ANDRIS R FEATURES AND BENEFITS



The Andris R is an unvented electric storage water heater and part of Ariston's market-leading Andris range. This easy to install entry model offers impressive hot water performance and fast reheat times. It is available in 10 or 15 litre variants with a choice of 2kW or 3kW outputs.

- / 'E' setting on the dial to optimise comfort and energy saving
- / Copper heating element (Nickel free)
- / Simple and intuitive dial control
- / Installation in 10 easy steps
- / Compact Italian design
- / Fast reheat times from just 12 mins (10L, 3kW model)



ENERGY RATING



## FEATURES:



### TITANIUM ENAMELLED TANK

/ With its proprietary titanium tank engineering, the Andris R boasts exceptional durability and an extended product life.



### EASY TEMPERATURE REGULATION

/ A regulation knob allows the temperature to be set according to a user's comfort. The 'E' setting optimises energy saving.



### ITALIAN DESIGN

/ Designed by Umberto Palermo, the Andris R's modern and compact new design offers a clean look and easy installation.



### ENHANCED ANTI-CORROSION

/ With its robust 4 bolt flange and copper heating element, the Andris R offers improved protection against water corrosion.

BATHROOMS

KITCHENS

ANNEXES

SMALL BUSINESSES

LOFT CONVERSIONS

LOG CABINS

UTILITY ROOMS

GARAGES & WORKSHOPS

CONSERVATORIES

EXTENSIONS



# ANDRIS R ELECTRIC WATER HEATER

TITANIUM ENAMELLED TANK

TOP CONNECTIONS



COMPACT ITALIAN DESIGN

COPPER HEATING ELEMENT

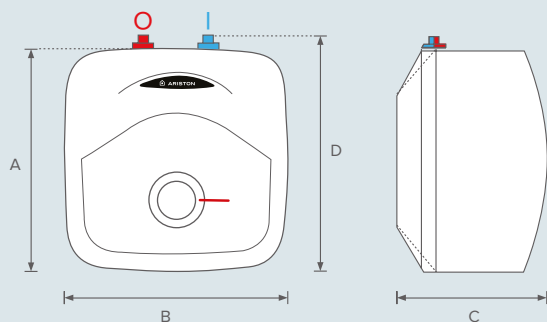
MECHANICAL DIAL



1. Temperature regulation dial with 'E' positioning to optimise comfort and energy savings (Economy setting).

2. Heating lamp shows that the heating cycle is in progress.

# PRODUCT DIMENSIONS



	10L (Undersink) 2kW & 3kW	15L (Undersink) 2kW & 3kW
A	360mm	360mm
B	360mm	360mm
C	298mm	346mm
D	385mm	385mm

## LEGEND

| Cold water inlet G 1/2"     ○ Hot water outlet G 1/2"

## ANDRIS R

Description	10 UR 2kW	10 UR 3kW	15 UR 2kW	15 UR 3kW
Height (mm)	360	360	360	360
Width (mm)	360	360	360	360
Depth (mm)	298	298	346	346
Class	B	B	B	B
Tapping	XXS	XXS	XXS	XXS
Power (kW)	2	3	2	3
Capacity (L)	10	10	15	15
Voltage (V)	240	240	240	240
Heating Time (Mins)	17	12	26	18
Orientation	Undersink	Undersink	Undersink	Undersink
Weight	6.7	6.7	7.5	7.5
PRODUCT CODES	3100863	3100832	3100864	3100834

## INSTALLATION KITS:

**IN ORDER TO FIT AN ARISTON ANDRIS R, IT IS GOOD PRACTICE AND SOMETIMES MANDATORY TO INSTALL ONE OR SEVERAL OF THE FOLLOWING KITS:**



### KIT A

**Expansion Vessel & Non-return Valve**

The expansion vessel prevents any build-up of pressure within the domestic hot water system, while the non-return valve stops any backflow of hot water into the cold water main.

PRODUCT CODE: 406801



### KIT B

**3.5 Bar Pressure Reducing Valve**

The maximum cold water inlet pressure designed for the Andris R unit is 3.5 bar. Therefore, this pressure reducing valve controls the water to not exceed this limit.

PRODUCT CODE: 406802



### KIT C

**Discharge Tundish**

In the event the hot water system over pressurises, water is discharged via the 6 bar pressure relief valve and the tundish visually indicates a discharge is occurring.

PRODUCT CODE: 406807

## HOT WATER | HEATING | RENEWABLES

**Customer Service:** [customer.service.uk@aristonthermo.com](mailto:customer.service.uk@aristonthermo.com) | 0333 240 8777

**Sales:** [salesoffice@aristonthermo.com](mailto:salesoffice@aristonthermo.com) | 0333 240 6666

**ariston.com**

🐦 @AristonUK
📘 /AristonUK
📺 /AristonThermo
📷 /AristonUK

